


Built to sanitary standards at a competitive price

For larger tank volumes requiring rapid turnover & high efficiency agitation, but also designed to meet stringent CIP washdown, pressure washing and steam cleaning conditions. The Rotomaxx is available in both a Pharmaceutical or a Food grade, all stainless configuration, with multiple output speeds and seal combinations. Our Jetfoil™ impeller technology provides 200% of the pumping rate found on conventional axial blade impellers.



Big performance in a compact package

- Total washdown capability with  TPV (#73-01) compliance
- Tank Volumes to 10,000 gallons
- Pumping Rates to 20,000 GPM
- 1/2 to 3 HP, 30-235 RPM output speeds
- Right angle design for low headroom space
- Validation documentation & factory acceptance testing (FAT) for GMP and FDA requirements



With a small footprint and low headroom design, the Rotomaxx is ideal where space is critical on large tanks



Rotomaxx Specifications

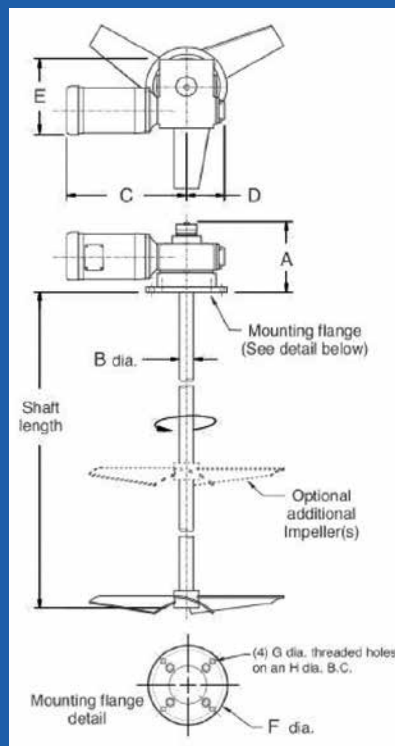
The Rotomaxx series of stainless steel mixers are available in three (3) basic configurations as shown below:

Mixer Model	125 RMAX	150 RMAX	200 RMAX
Output Speed (RPM)	30 - 235	30 - 235	30 - 235
HP Range	0,37 - 1,5	0,37 - 2,5	0,55 - 2,5
Shaft Diameter	31,75	38,1	50,8
Maximum Shaft Length (mm)	up to 2.413	up to 2.692	up to 4.191
Foil Diameter (mm)	up to 1.397	up to 1.651	up to 1.702
Pumping Rate @ 1 cps (ltr/min)	49.210	77.600	90.092

Rotomaxx

	A	B	C	D	E	F	G	H
125RMAX	221	31,8	457	83,8	195,6	304,8	200,7	25,4
150RMAX	231,1	38,1	483	111,8	238,8	304,8	200,7	31,8
200RMAX	264,2	50,8	508	139,7	299,7	304,8	177,8	25,4

Dimensions are in mm
C & E may vary with motor selection



Ease of Installation & Service

The modular design of the Rotomaxx components, along with the hollow quill bore of the reducer, allows for easy mounting and servicing.

SS Motors are directly coupled to eliminate misalignment.

SS Gear Reducers include a hollow bore to eliminate shaft couplings.

SS Pedestals allow easy seal disassembly and are registered for perfect seal alignment.

Removable SS Shaft is both keyed and retained above the hollow quill to eliminate slip.

SS Jetfoil™ Impellers are keyed, welded or can be bolted construction where space is limited.



EMPLOYEE OWNED...

CUSTOMER FOCUSED

ADMIX[®]
Advanced Mixing Technologies

Admix, Inc.
144 Harvey Rd.
Londonderry NH 03053
800-466-2369 / 603-627-2340
www.admix.com

Admix Europe ApS
Gydevang 4A
3450 Allerød, Denmark
+45 3213 8743
www.admix.dk

Selection & Performance

Selection of the proper Rotomaxx model for your application is simplified with our **MixxScale** sizing criteria. Our **MixxScale** program utilizes bulk fluid velocity and impeller size (foil diameter to tank diameter ratio) to provide the desired level of agitation, suspension of solids and top-to-bottom flow control. Our high efficiency Jetfoil™ impellers provide maximum performance using the lowest horsepower consumption and an optimized gearbox size to reduce overall costs.

Our **MixxScale** (MS) selections range from 1 through 4 with MS = 1 providing a lower level of agitation with little vortex and longer blend times (10-30 minutes), while MS = 4 is characterized by very vigorous agitation with excellent suspension and very rapid blend times of under 10 minutes. The following tables provide the best Rotomaxx selection for the designated level of agitation, tank volume and viscosity.

MixxScale of 1

VOLUME (LITERS)	VISCOSITY			
	10	500	1.000	5.000
37.000	<div style="background-color: #00a0e3; color: white; padding: 5px; text-align: center;">200 RMAX</div> <div style="background-color: #0056b3; color: white; padding: 5px; text-align: center;">150 RMAX</div> <div style="background-color: #008000; color: white; padding: 5px; text-align: center;">125 RMAX</div>			
28.400				
18.900				
9.450				
7.570				
5.680				
3.700				

MixxScale of 2

VOLUME (LITERS)	VISCOSITY			
	10	500	1.000	5.000
37.000	<div style="background-color: #00a0e3; color: white; padding: 5px; text-align: center;">200 RMAX</div> <div style="background-color: #0056b3; color: white; padding: 5px; text-align: center;">150 RMAX</div> <div style="background-color: #008000; color: white; padding: 5px; text-align: center;">125 RMAX</div>			
28.400				
18.900				
9.450				
7.570				
5.680				
3.700				

MixxScale of 3

VOLUME (LITERS)	VISCOSITY			
	10	500	1.000	5.000
37.000	<div style="background-color: #00a0e3; color: white; padding: 5px; text-align: center;">200 RMAX</div> <div style="background-color: #0056b3; color: white; padding: 5px; text-align: center;">150 RMAX</div> <div style="background-color: #008000; color: white; padding: 5px; text-align: center;">125 RMAX</div>			
28.400				
18.900				
9.450				
7.570				
5.680				
3.700				

MixxScale of 4

VOLUME (LITERS)	VISCOSITY			
	10	500	1.000	5.000
37.000	<div style="background-color: #00a0e3; color: white; padding: 5px; text-align: center;">200 RMAX</div> <div style="background-color: #0056b3; color: white; padding: 5px; text-align: center;">150 RMAX</div>			
28.400				
18.900				
9.450				
7.570				
5.680				
3.700				