

Optifeed™ & PIC™ Systems



Ergonomic Atmospheric Powder Induction Technology

Advanced Mixing Technologies

Designed to handle higher viscosities and higher powder feed rates

The Admix Powder Induction Systems provide rapid introduction and wetting out of dry solids and/or liquid ingredients. The Optifeed OES and PIC Systems can process from 50 to 200 pounds/minute of dry or liquid materials depending upon system settings and process conditions. An integrated control valve enables system setting adjustments, without the need for a trained mechanic, allowing processors to take full advantage of the superior suction capabilities of this powder induction technology.

BENEFITS TO YOUR PROCESS:

- ✓ Reduce operator injury
- ✓ Improve product quality
- ✓ Reduce the risk of accidents
- ✓ Increase ingredient functionality
- ✓ Reduce mix times
- ✓ Fast ingredient addition
- ✓ No more wasted ingredients
- ✓ Improve yields

PIC™ System



Standard PIC system includes a 3.5 cubic foot powder hopper, ergonomic waist-high work table, sanitary powder suction pump, powder valve, vacuum gauge, vacuum regulator valve, control box for pump and interconnecting piping

OES™ System

Standard OES system includes a 3.5 cubic foot powder hopper and modular frame at floor level for easy access to load ingredients



- ✓ Powder induction capacities up to 200 lbs/minute
- ✓ Viscosity capability of 2,500 cps and 78% maximum solids
- ✓ All 304/316SS construction with CIP capability
- ✓ Optional wand attachment available
- ✓ Integrated sanitary clamps, valves and piping
- ✓ Optional NEMA 4X controls for pump
- ✓ Pre-engineered models for quick shipment

**ASK US
ABOUT OUR
TRIAL PROGRAM**

Your Mixing Technology Partner . . . www.admix.com

Ergonomic Design Prevents Operator Injury

The OES and PIC Systems feature an ergonomic waist-high hopper for the addition of all ingredients required in the mix and utilize a high performance powder suction pump to convey from 3 to over 200 pounds per minute of any powder or solid. The PIC System also includes an ergonomic work table and washdown integral control panel.

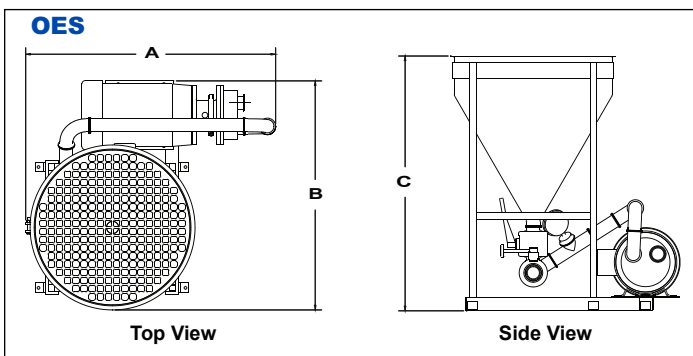
Standard Features:

- 100% made in the USA, all fittings are standard Tri-Clamp® type
- 304/316 stainless steel construction
- Easily and cost effectively adapted to your specific space requirements and restrictions

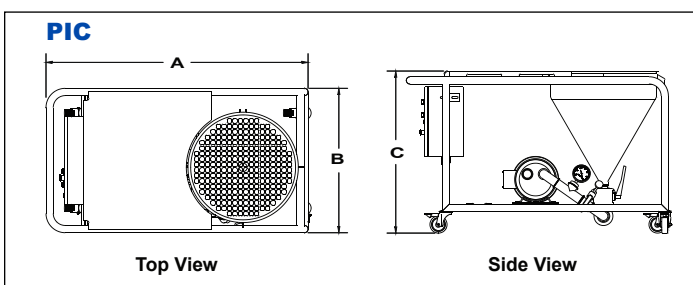
Options:

- Electropolished hopper and wetted parts
- Special hopper design for difficult powders, to include air sparge, water flush, and vibration systems
- Alternate pipe fittings available
- Various motor types for pump drive
- Actuated valves
- A[®] compliant components
- Special elastomers
- Double seal for high solids processing, with protection against dry running

	OES-E200	OES-V200	OES-V250	PIC200	PIC250
Sanitary ball valve (hopper)	2"	2"	2.5"	2"	2.5"
Hopper diameter/volume	24"/3.5 cu. ft.	24"/3.5 cu. ft.	24"/3.5 cu. ft.	24"/3.5 cu. ft.	24"/3.5 cu. ft.
Flow control valve(s)	N/A	(1) 2"	(1) 2.5"	(2) 2"	(2) 2.5"
Motor (washdown duty)	7.5 HP Stainless	7.5 HP Stainless	15 HP White Epoxy	7.5 HP White Epoxy	15 HP White Epoxy
Motor controls	N/A	N/A	N/A	✓	✓
Work table	N/A	N/A	N/A	✓	✓
Swivel casters	N/A	N/A	N/A	✓	✓
Optional grate	✓	✓	✓	✓	✓
Double seal	✓	✓	✓	✓	✓



Model	A	B	C
OES-E200	38"	35"	39"
OES-V200	38"	35"	39"
OES-V250	39"	36"	39"
PIC-200	60"	33"	37"
PIC-250	71"	45"	38"



Typical Operation for Powder Induction

For materials that are easily dissolved or suspended, the system discharge can be sent directly to the next step in the process.

If materials require shear to properly disperse, deagglomerate or emulsify, they can be recirculated through a batch tank with an in-tank high shear mixer, such as Rotosolver® and Rotostat®. Alternately, the material can be processed through an Admix DynaShear® or Boston Shearmill™ for in-line high shear mixing, without the need for a batch mixer.

For ultimate processing capabilities, our Fastfeed® powder induction & dispersion skid integrates the DynaShear and the PIC module.

Basic Rules for Use

- Maximum viscosity before or after ingredient introduction is 2500 cps.
- Maximum allowable head on discharge is 10 psi. If head loss exceeds recommended levels, a booster pump on the discharge piping should be installed.
- Minimum incoming flow rate for the system is 35 GPM.

www.admix.com/powder-induction-mixer

For more information:

Contact Admix for Your
Local Sales Representative

EMPLOYEE OWNED ... CUSTOMER FOCUSED

* TriClamp® is a registered trademark of Alfa Laval, Inc.

